

TOSHIBA FIELD EFFECT TRANSISTOR SILICON N CHANNEL MOS TYPE

2SK3075

RF POWER MOSFET
FOR VHF- AND UHF-BAND POWER AMPLIFIER

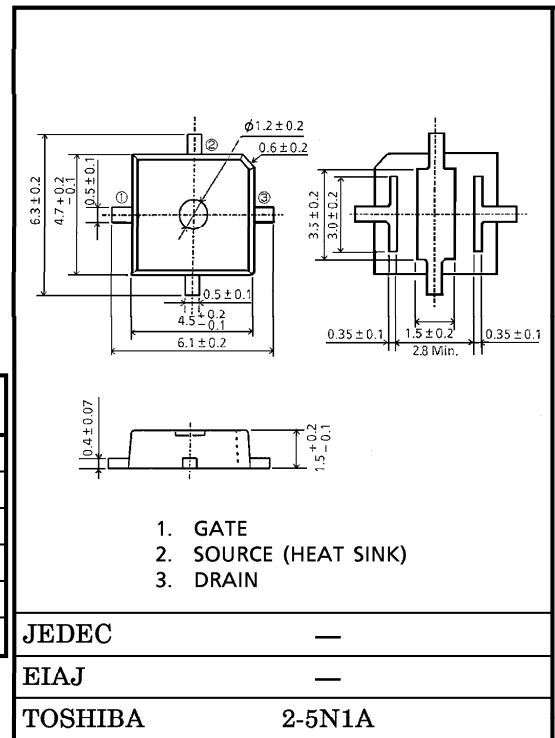
Unit in mm

- Output Power : $P_O \geq 7.5W$
- Power Gain : $G_p \geq 11.7dB$
- Drain Efficiency : $\eta_D \geq 50\%$

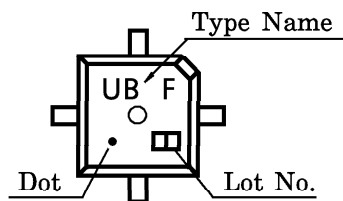
MAXIMUM RATINGS (Ta = 25°C)

CHARACTERISTIC	SYMBOL	RATING	UNIT
Drain-Source Voltage	V _{DSS}	30	V
Gate-Source Voltage	V _{GSS}	25	V
Drain Current	I _D	5	A
Drain Power Dissipation	P _D *	20	W
Channel Temperature	T _{ch}	150	°C
Storage Temperature Range	T _{stg}	-45~150	°C

* : T_c=25°C When mounted on a 1.6mm glass epoxy PCB



MARKING



961001EAA1

- TOSHIBA is continually working to improve the quality and the reliability of its products. Nevertheless, semiconductor devices in general can malfunction or fail due to their inherent electrical sensitivity and vulnerability to physical stress. It is the responsibility of the buyer, when utilizing TOSHIBA products, to observe standards of safety, and to avoid situations in which a malfunction or failure of a TOSHIBA product could cause loss of human life, bodily injury or damage to property. In developing your designs, please ensure that TOSHIBA products are used within specified operating ranges as set forth in the most recent products specifications. Also, please keep in mind the precautions and conditions set forth in the TOSHIBA Semiconductor Reliability Handbook.
- The information contained herein is presented only as a guide for the applications of our products. No responsibility is assumed by TOSHIBA CORPORATION for any infringements of intellectual property or other rights of the third parties which may result from its use. No license is granted by implication or otherwise under any intellectual property or other rights of TOSHIBA CORPORATION or others.
- The information contained herein is subject to change without notice.

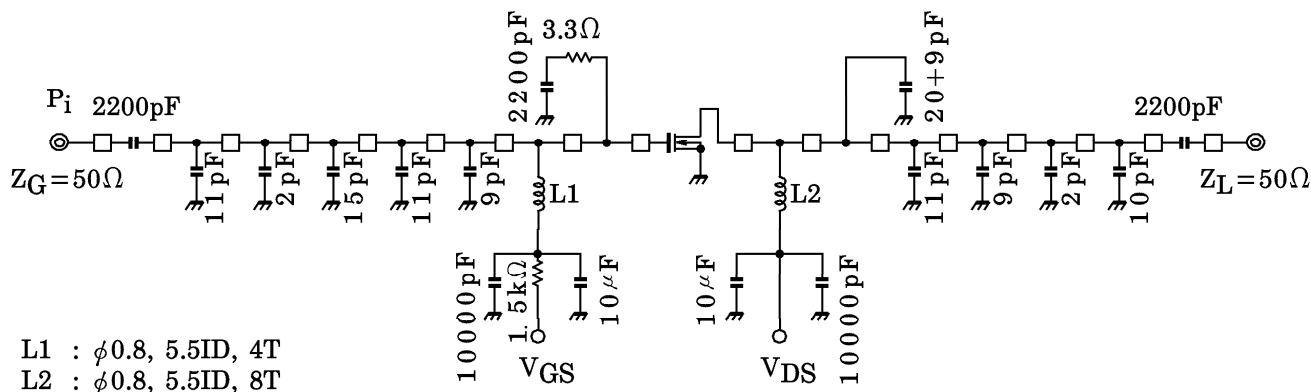
ELECTRICAL CHARACTERISTICS (Ta = 25°C)

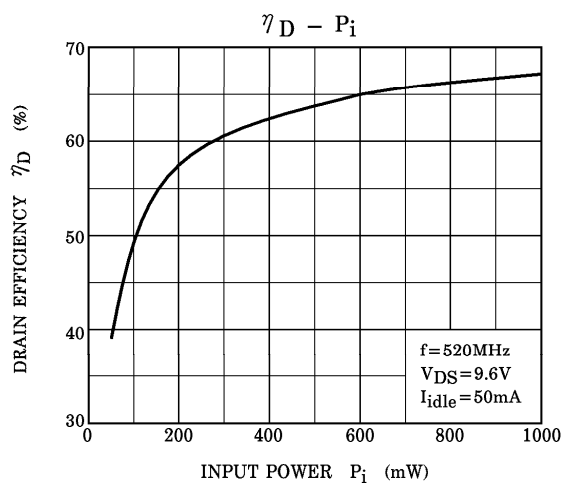
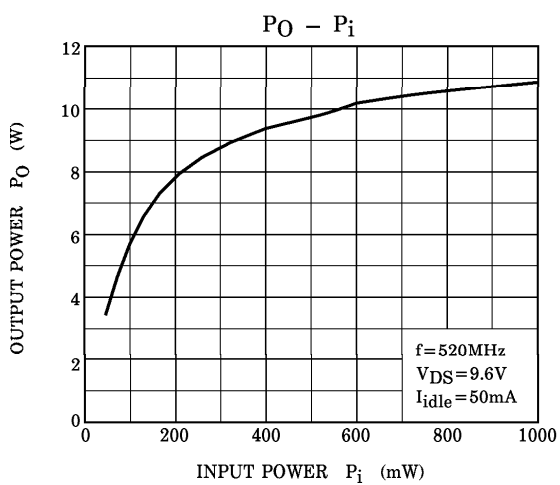
CHARACTERISTIC	SYMBOL	TEST CONDITION	MIN.	TYP.	MAX.	UNIT
Output Power	PO	V _{DS} = 9.6V	7.5	—	—	W
Drain Efficiency	η _D	I _{idle} = 50mA (V _{GS} = adjust) f = 520MHz, P _i = 500mW	50	—	—	%
Power Gain	G _P	Z _G = Z _L = 50Ω	11.7	—	—	dB
Gate Threshold Voltage	V _{th}	V _{DS} = 9.6V, I _D = 0.5mA	1.0	1.5	2.0	V
Drain Cut-off Current	I _{DSS}	V _{DS} = 20V, V _{GS} = 0	—	—	10	μA
Gate-Source Leakage Current	I _{GSS}	V _{GS} = 10V, V _{DS} = 0	—	—	5	μA

HANDLING PRECAUTION

- When handling individual devices, be sure that working desks, human bodies and soldering iron are protected against electrostatic electricity.

RF OUTPUT POWER TEST FIXTURE





CAUTION

These are only typical curves and devices are not necessarily guaranteed at these curves.